

TRACK CUTTING MACHINE FROM STEELMAX®

TORCH RUNNER

DIGITAL CONTROL PRODUCES ACCURATE HIGH-QUALITY CUTS AND BEVELS

The **Steelmax® Torch Runner** is a state-of-the-art, digitally controlled track torch which features a precise, stable travel speed that produces accurate cuts and bevels with oxy-fuel or plasma. The machine can be used on any standard 6" V-grooved track. Plate cutting and weld preparation can now be done with a high degree of precision. Quality cuts and bevels produced with Torch Runner reduce fit-up and grinding time and lay the foundation for a high quality weld.

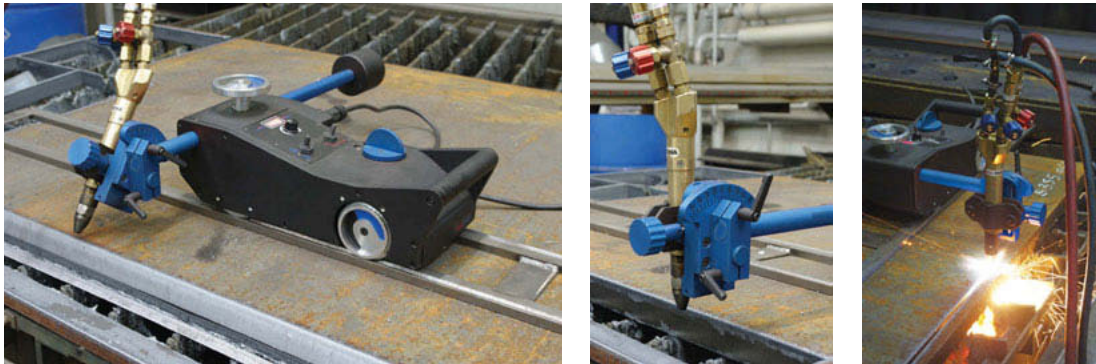
FEATURES

- 1-3/8" (35 mm) Machine Barrel Torch Holder with precise angle setting up to 45 degrees
- Rigid heat-proof design
- Advanced Speed Control with electronic closed loop feedback for stable speed regulation
- LED Display with readout of actual and preset speed
- Two-wheel drive with braking
- Free wheel clutch system features rapid disengagement of drive mechanism for repositioning
- Interconnecting rails for long cuts and bevels
- Optional gas manifolds for two or three hose torches
- Optional circle cutting attachment



Steelmax
The tools of innovation.

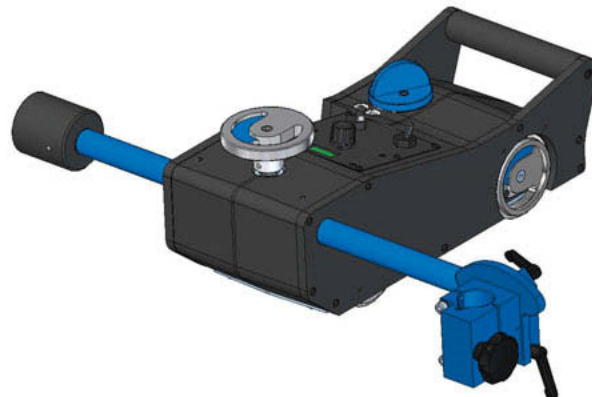
TORCH RUNNER FROM STEELMAX®



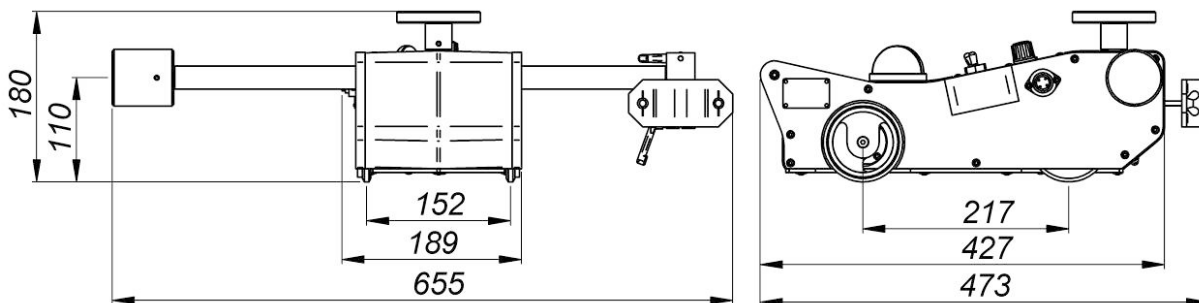
Torch Runner Technical Specifications	
Part Number	SM-WC-TR or SM-WC-TR-230
Power supply	115-230V / 50-60 Hz
Travel Speeds	0-59 IPM (0-150 CPM)
Dimensions (LxWxH)	16-13/16" (18-5/8") x 7-7/16" (25-13/16") x 7-1/16" 427 mm (473) x 189 mm (655) x 180 mm
Weight	37 lbs (16.8 kg)

Standard kit includes:

- Torch Runner drive unit
- Power cord
- Counterweight
- Geared Rack 22.8 (580 mm) long
- Machine barrel torch holder with precise angle adjustment for torch barrel diameter of 1-3/8" (35 mm) with 32 pitch gear rack



Note: Torch, gas manifold and rail sold separately



TRACK CUTTING MACHINE FROM STEELMAX®

ACCESSORIES:

1. Track Assembly

Track assemblies can interconnect to form various lengths
Track specification: length 72" (1800 mm), "V" Groove center-line: 6" (152 mm)
Product Code: SM-TRO-0475-13-00-00-0



2. Standard Gas Manifolds

Standard Gas Manifolds act as strain relief for torch holder and allow for easy connection for gas supply hoses

2 Hose-Gas Manifold – Product Code: SM-RZD-0475-39-00-00-0

3 Hose-Gas Manifold – Product Code: SM-RZD-0475-32-00-00-0



3. Quick Acting Manifolds

Quick Acting Manifolds act as strain relief for the torch holder and permit quick on/off of gas supply.

Quick Action 2 Hose Gas Manifold – Product Code: SM-RZD-0475-40-00-00-0

Quick Action 3x3 Hose Gas Manifold – Product Code: SM-RZD-0475-43-00-00-0



OPTIONAL ACCESSORIES:

4. Standard Torch Holder

Enables torch attachment and rough angle setting for torch barrel diameters from 1-1/8" to 1-3/8" (28-35 mm).

Product Code: SM-UCW-0475-28-00-00-0



5. Torch Holder with Precise Bevel Angle Setting

Enables torch attachment with precise angle setting and quick up & down adjustment for torch barrel diameters from 1-1/8" to 1-3/8" (28-35 mm)

Product Code: SM-UCW-0475-08-00-00-0



6. Machine Barrel Torch Holder with Precise Bevel Angle Setting

Enables machine barrel torch attachment for Machine Barrel Torch with diameter 1-3/8" (35 mm) with 32-pitch gear

Product Code: SM-UCW-0475-42-00-00-0



7. Machine Barrel Torch Holder

Enables machine barrel torch attachment (quick change of the height and rough angle setting)
Holder diameter 1-3/8" (35 mm) with 32-pitch gear

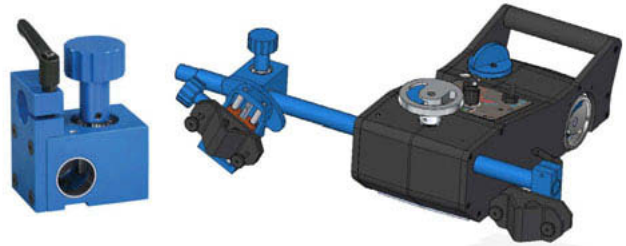
Product Code: SM-UCW-0475-29-00-00-0



TORCH RUNNER FROM STEELMAX®

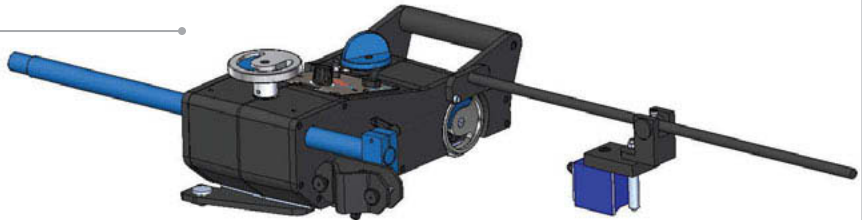
8. Sliding Rack Holder

Sliding rack holder enables various torch holder attachments
Product Code: SM-UCW-0475-15-00-00-0



9. Circle Cutting Attachment

Enables circle cutting with radius between
9.5" and 19.5" (240 and 500 mm)
Product Code: SM-CYR-0475-22-00-00-0



10. Large Counterweight

Product Code: SM-PWG-0475-10-00-00-0



11. 39" (1000 mm) Geared Rack

Enables extended reach for the torch holder
Product Code: SM-RAM-0475-23-00-00-0



12. Cable Anchor

Anchors power cable and fuel hoses to relieve stress
on the torch holder
Product Code: SM-PDT-0475-34-00-00-0



13. Roller Support

Stabilizes carriage and provides constant torch standoff
Product Code: SM-PDT-0475-26-00-00-0



Steelmax

The tools of innovation.

6200 S.Troy Circle, Suite 110, Centennial, CO 80111

For ordering and customer service, or to request detailed product information or demonstration videos, contact:

1-87STEELMAX

STEELMAX.COM

sales@Steelmax.com

Fax: 303-690-9172

