

PENDULUM OSCILLATOR with DIGITAL DISPLAY

OSC-8 PRO

WEAVE WELDING WITH UNMATCHED PRECISION

The Steelmax OSC-8 PRO Pendulum Oscillator delivers advanced precision and control for weave welding applications. Featuring a bright LED display and an intuitive interface, this next-generation oscillator simplifies the adjustment of four critical weld parameters; oscillation width, oscillation speed, and right and left dwell times making setup faster and more accurate.

Designed for versatility and portability, the OSC-8 PRO is the ideal solution for welds on pipes, tubes, vessels, flanges, fittings, and a wide range of other fabrication projects. It integrates seamlessly with both track-mounted and trackless welding carriages, welding positioners, turning rolls, and column-and-boom systems. For maximum flexibility, it can also operate as a fully independent unit using its rugged freestanding supports.

With its compact design, durable construction, and easy-to-use controls, the OSC-8 PRO helps fabricators achieve consistent, high-quality welds with improved efficiency and repeatability.

FEATURES

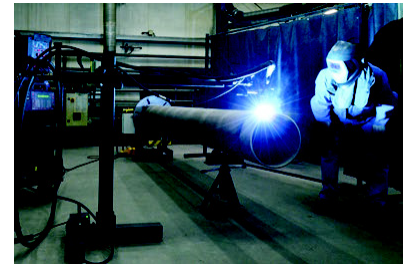
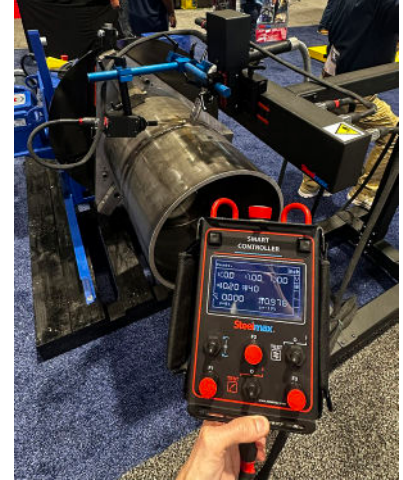
- Lightweight and compact
- Four adjustable parameters: oscillation width, oscillation speed, oscillation dwell time on ends
- Triangle and trapezoid weld paths
- Ergonomic control panel with four knobs
- Digital LED display enables precise setting and reading of oscillation parameters & indicates current status of the OSC-8 PRO and provides safety and diagnostic information
- Two control modes: manual and external start
- Operate as a stand-alone unit or be part of more advanced welding systems configured with welding tractors, columns and booms, positioners, gantry systems, etc.



Steelmax.
The tools of innovation.

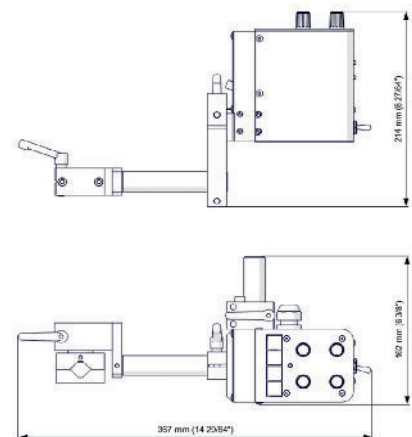
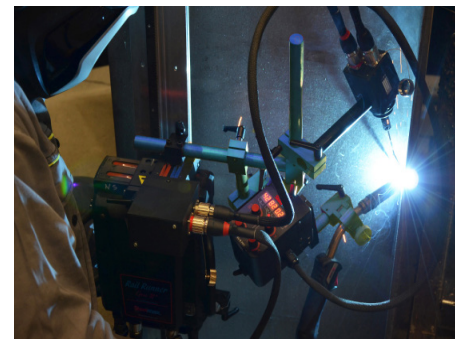
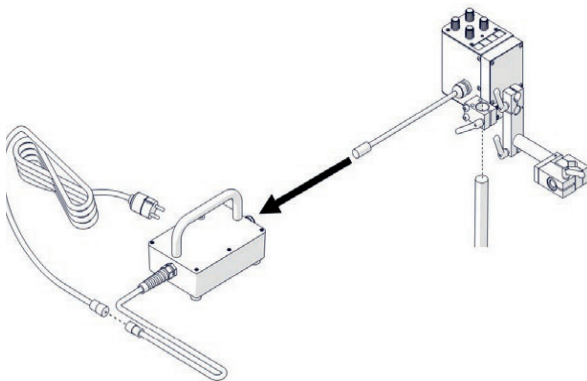
PENDULUM OSCILLATOR with DIGITAL DISPLAY

OSC-8 PRO Technical Specifications	
Voltage	14–24 V DC
Power	50 W
Torch type	MIG/MAG
Torch diameter	5/8" - 7/8" (16-22 mm)
Oscillation type	Angular
Oscillation width at r= 5 29/32" (150 mm)	3/64"–1 3/16" (3–99%) 1–30 mm
Dwell time on ends	0–5 s
Maximum torque	6 ft lbs
Protection level	IP 20
Oscillation speed at oscillation width of 10 mm (3/8") and zero dwell time on ends	12–300 cycles/min
Protection class	I
Required ambient temperature	32–122°F (0–50°C)
Weight	4.6 lbs (2.1 kg)
Product Code	SM-OSC-0799-24-00-00-0



Shipping Set

- Oscillator
- 5 mm hex wrench
- Arm
- Low rod torch holder with clip
- Clamping block
- M6x40 screw 2 pcs
- 3" (80 mm) rod



Steelmax.
The tools of innovation.

For ordering and customer service, or to request detailed product information or demonstration videos, contact:

303-690-9146

STEELMAX.COM

sales@Steelmax.com

Fax: 303-690-9172