

# CORDLESS WELDING CARRIAGE FROM STEELMAX®

## ARC RUNNER CDL

### PORTABLE & PROGRAMMABLE BATTERY POWERED WELDING CARRIAGE

Arc Runner CDL is a battery-powered, programmable welding carriage from Steelmax Tools, designed for automated production of fillet and butt welds in both stitch and continuous welding modes. Its intuitive programming function allows operators to set the desired welding path by specifying parameters such as weld length, skip length, and crater filling at the beginning and end of the welds.

Powered by the advanced CAS LiHD (High Density Lithium Ion) battery, the Arc Runner CDL delivers consistent performance for even the toughest mechanized welding applications—without the limitations of cables. Precise travel speed control and stabilization enable accurate weld bead geometry, reducing costly overwelding and minimizing filler metal consumption.

For enhanced versatility in automated welding processes, the Arc Runner CDL can also produce weave welds with the use of an optional pendulum oscillator. This feature provides precise control of weave width, weave speed, and left/right side dwell times, making it an ideal welding carriage for shops looking to increase productivity, quality, and safety

#### Features

- Simple and ergonomic programming of welding patterns and stitch welding parameters
- Multifunctional LED display shows travel speed, welding settings, and diagnostic messages
- Closed-loop speed control system stabilizes travel speed, enabling uniform heat input for consistently high-quality welds
- Convenient High Density Lithium Ion 18V DC battery supply+
- Intelligent battery management for long-lasting performance
- 4-wheel drive system with magnetic traction for stable movement of the tractor
- Compact, lightweight design with durable aluminum cast housing
- Optional pendulum oscillator for producing weave welds
- Auxiliary accessories make the Arc Runner CDL suitable for various applications with carbon steel, stainless steel and aluminium
- Equipped with limit switches



Arc Runner CDL & Accessories

**Steelmax**

The tools of innovation.

For ordering and customer service, or to request detailed product information or demonstration videos, contact:

303-690-9146

STEELMAX.COM

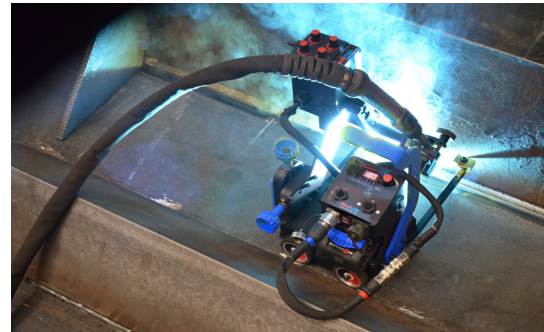
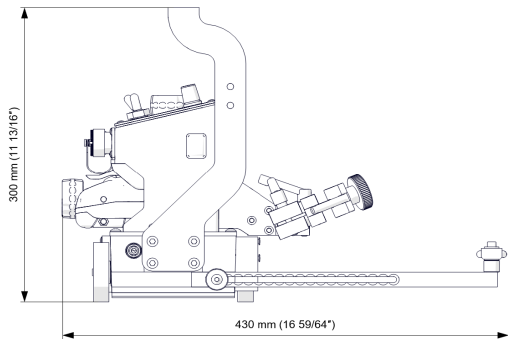
sales@Steelmax.com

Fax: 303-690-9172



# PROGRAMMABLE WELDING CARRIAGE FROM STEELMAX®

Arc Runner CDL Technical Specification	
Voltage	18 V DC, 4 Ah
Power	18 W
Welding position (according to EN ISO 6947 and AWS/ASME)	PA/1F/1G PB/2F
Vertical movement range	39 1/3" (1000 mm)
Horizontal movement range	31 1/2" (805 mm)
Minimum path curve radius	Outer 39 3/8" (1000 mm) Inner 49 3/16" (1250 mm)
Minimum workpiece thickness	1/8" (4 mm)
Horizontal speed (with a fully charged battery)	1-51 in/min (5-130 cm/min)
Weight (without the battery)	15.4 lbs (7 kg)
Product code	SM-WC-AR-CDL



## Pendulum Oscillation (option)

Arc Runner CDL is ready for use with the OSC-8 PRO external pendulum oscillator and has built-in socket to power the oscillator, eliminating the need for a separate oscillator power supply.



OSC-8 Pro  
Part number  
OSC-0799-24-00-00



Oscillator Support  
Part number  
WSP-0757-11-01-00-0  
(including two M6x14 screws)

## Standard shipping set

- Welding tractor
- Battery 4.0 Ah (2 pcs)
- 1 Charger
- Torch holder
- Arc ignition cable
- 4 mm hex wrench
- 3 mm hex wrench
- Plastic box
- Operator's manual



# Steelmax.

The tools of innovation.