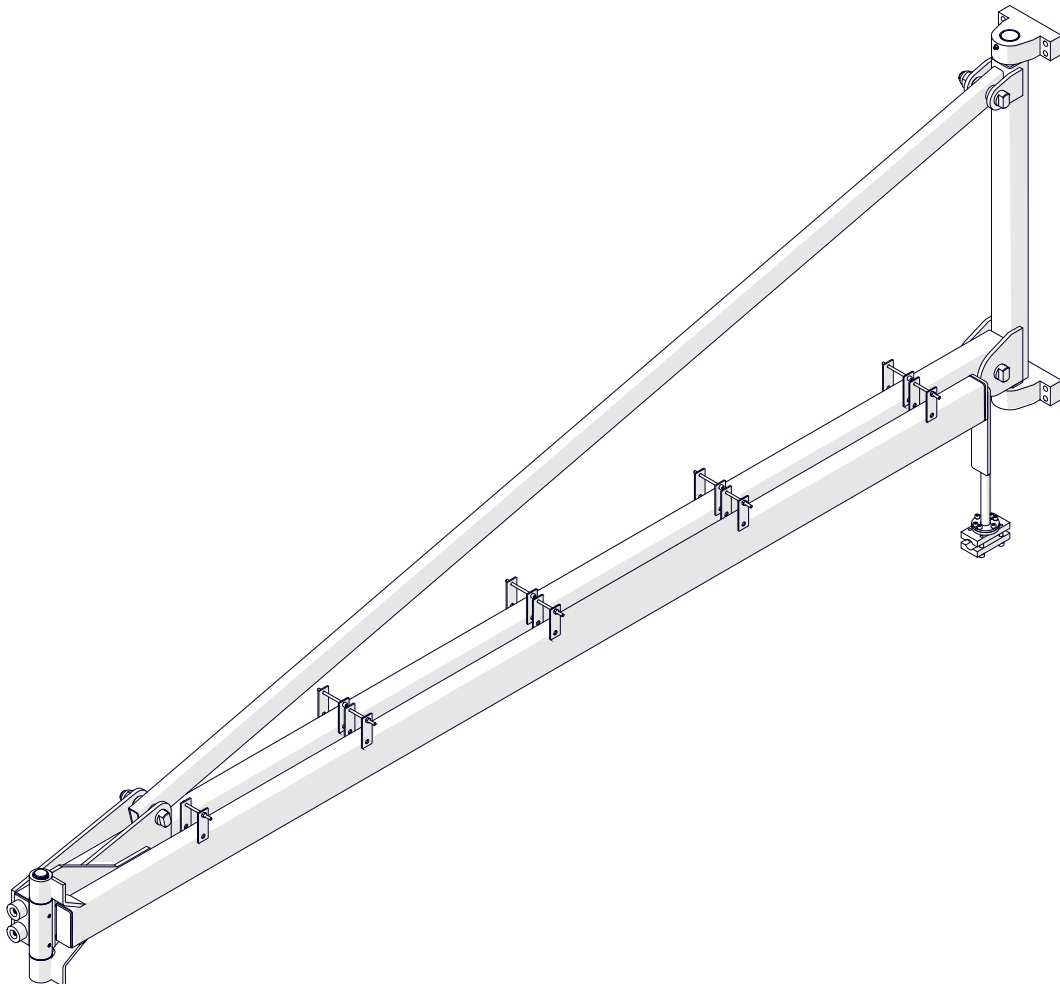


The tools of innovation.

## OPERATOR'S MANUAL

### Pivot wire feeder boom **SM-WFB-PVB6000**



801 W. Mineral Ave. Suite 103, Littleton CO. 80120

1- 303-690-9146, FAX 303 - 690 - 9172

[www.steelmax.com](http://www.steelmax.com) [sales@steelmax.com](mailto:sales@steelmax.com)

# Contents

---

1. GENERAL INFORMATION .....	3
1.1. Application .....	3
1.2. Technical data.....	3
1.3. Design .....	3
1.4. Equipment included .....	4
1.5. Dimensions .....	5
1.6. Reach .....	6
2. SAFETY PRECAUTIONS.....	7
3. STARTUP AND OPERATION .....	8
3.1. Assembling the frame .....	8
3.2. Installing the wire feeder holder .....	9
3.3. Installing the boom.....	9
3.4. Installing the wire feeder .....	11
3.5. Boom positioning .....	12
3.6. Maintenance .....	13
4. ACCESSORIES .....	14
4.1. R type wire feeder holder .....	14
4.2. L type wire feeder holder.....	14
4.3. Free-standing pillar .....	15
5. DECLARATION OF CONFORMITY .....	18
6. WARRANTY CARD.....	19

# 1. GENERAL INFORMATION

## 1.1. Application

This boom is designed to hang and move the welding wire feeder. The boom is designed for use by the professional operator only.

## 1.2. Technical data

Reach	Rotation angle	Maximum load	Weight
7 3/32–237 13/32" 180-6030 mm	0–180°	110 lbs (50 kg)	254 lbs (115 kg)

## 1.3. Design

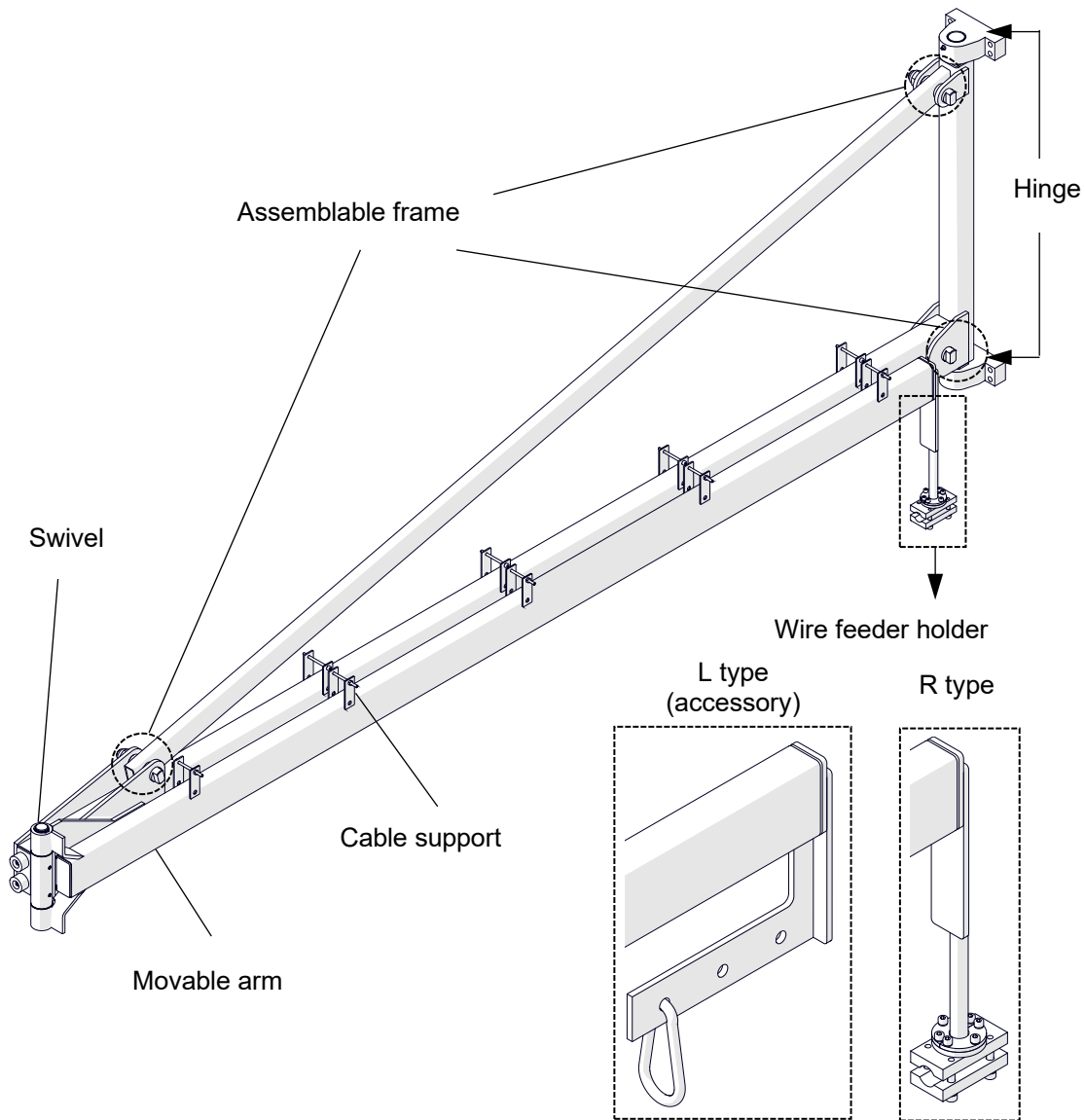
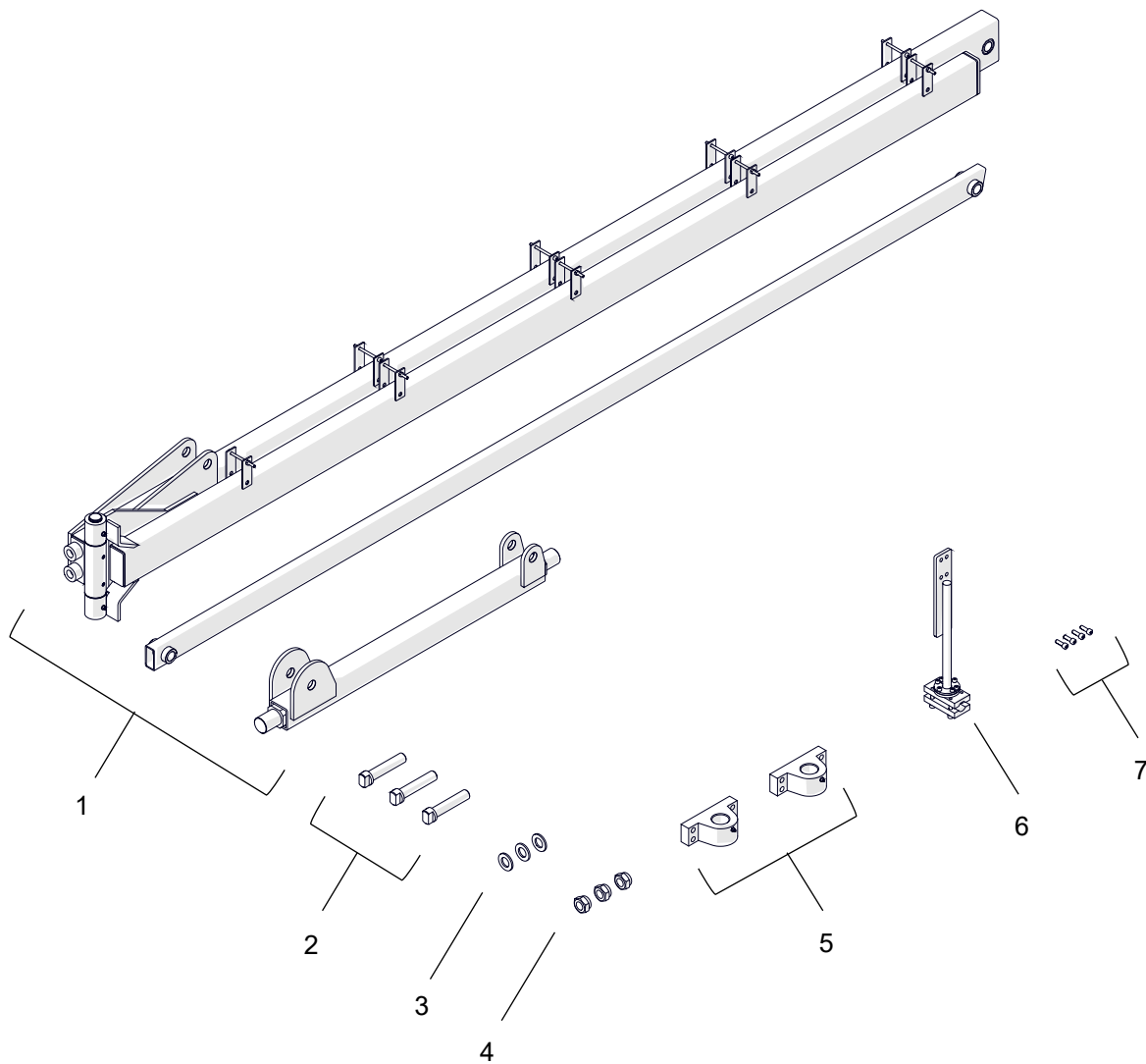


Fig. 1. Design

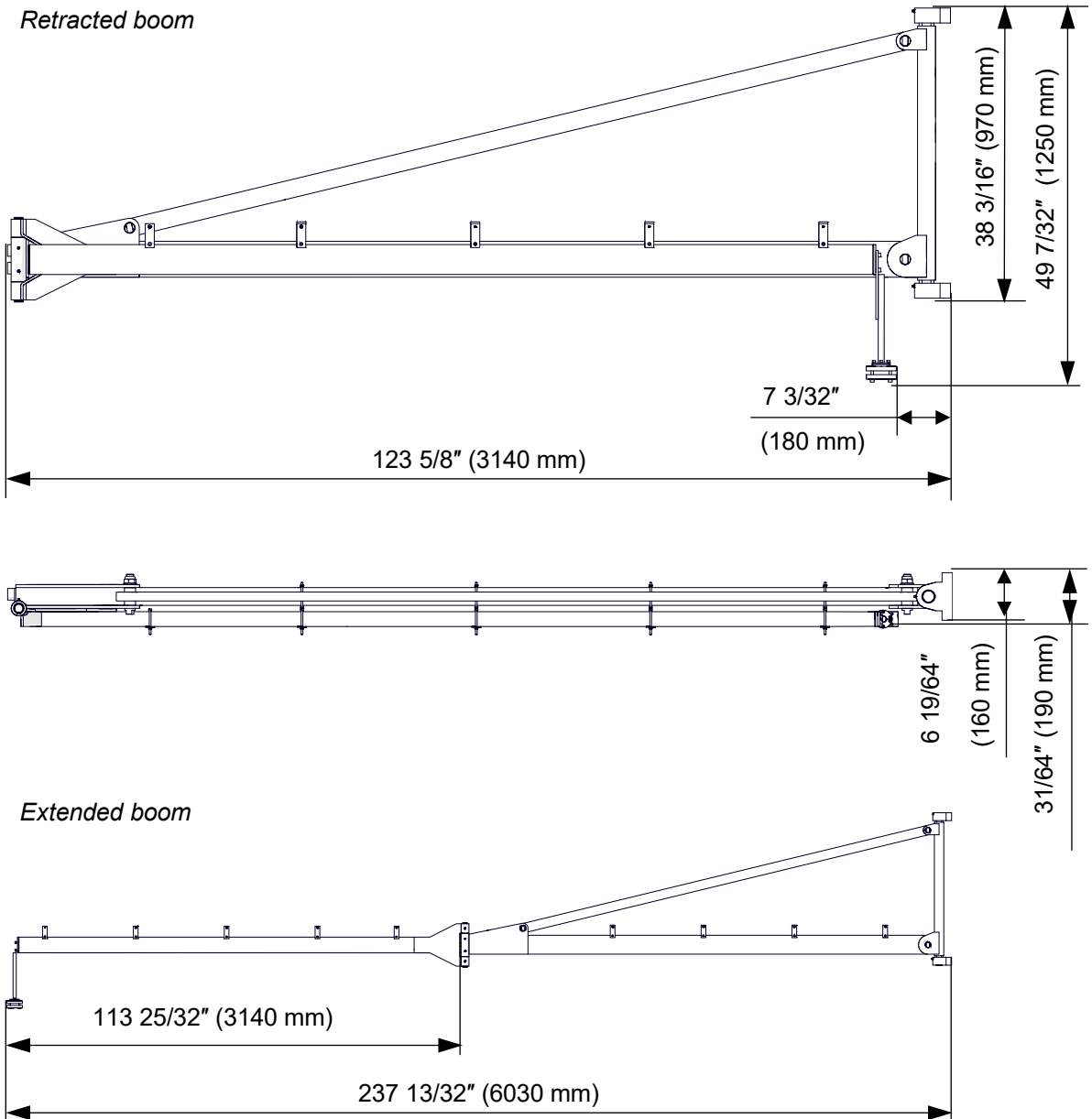
**1.4. Equipment included**



1	Frame parts	1 set
2	Pin	3 units
3	Washer	3 units
4	M24 nut	3 units
5	Hinge	2 units
6	R type wire feeder holder	1 unit
7	M8x25 screw	4 units
–	Operator's manual	1 unit

**Fig. 2. Equipment included**

**1.5. Dimensions**



**Fig. 3. Dimensions of boom**

1.6. Reach



Use the boom in the reach shown in the figure below!

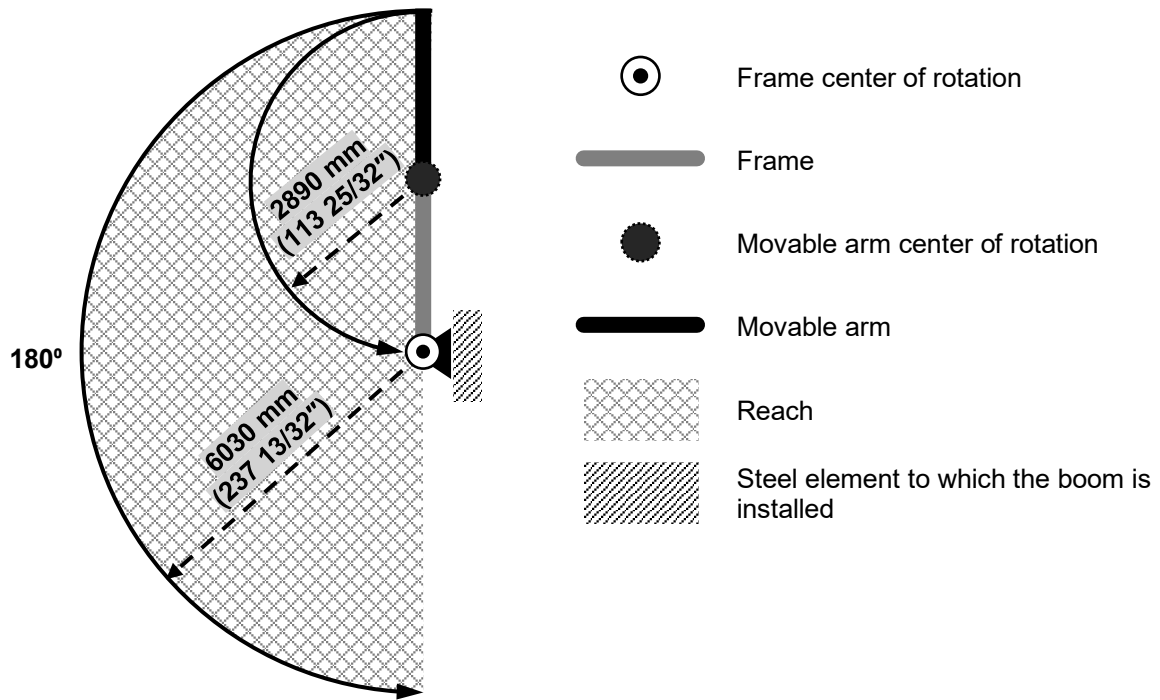


Fig. 4. Reach

## **2. SAFETY PRECAUTIONS**

1. Before use, read this operator's manual and complete a training in occupational safety and health.
2. Use only in applications specified in this operator's manual.
3. Make sure that the boom has all parts and they are genuine and not damaged.
4. Use only the parts included with the boom for assembly.
5. Make sure the boom is correctly assembled.
6. Keep the work area well-lit, clean, and free of obstacles. Make sure that access to the work area is easy and safe.
7. Make sure that the work area is larger than the reach specified in this operator's manual.
8. Do not use the boom outside the reach specified in this operator's manual.
9. Install the boom so that the section between the hinges is vertical in the side and front planes.
10. Install the boom to steel elements with proper load-bearing capacity.
11. Install the boom with eight screws and nuts specified in this operator's manual.
12. Do not hang a load larger than specified in the technical data.
13. Use a helmet when installing, operating and being in the work area.
14. Use with a wire feeder powered by no more than 48 volts DC.
15. Repairs can only be carried out by the service specified by the seller.
16. Work at heights can only be carried out by a person with appropriate permits.

### 3. STARTUP AND OPERATION



Be careful and use correct means (platforms, cranes) to ensure safety.



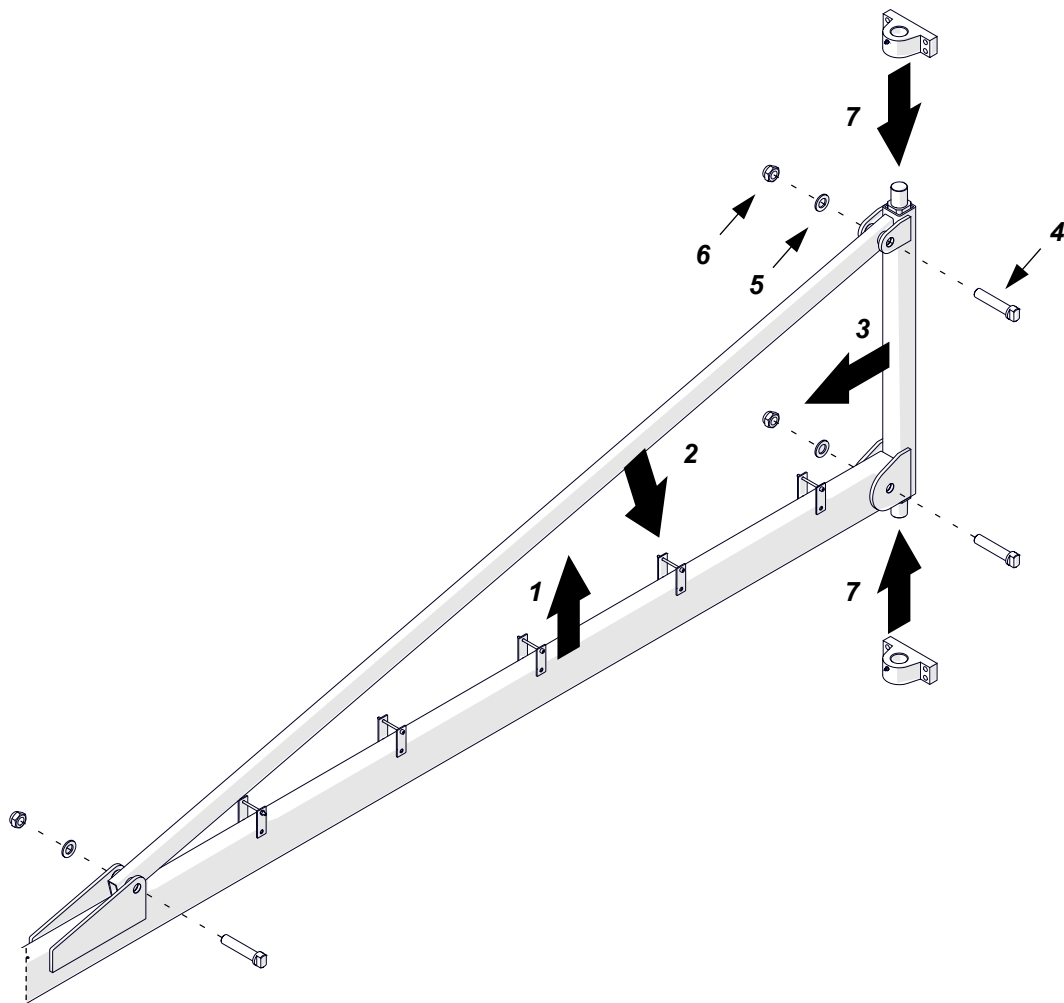
Wear head protection when installing, operating whenever in the work area.



You can only do work at heights if you have appropriate permits.

#### 3.1. Assembling the frame

Assemble the frame parts (1, 2, 3) as shown in the figure below using pins (4), washers (5) and M24 nuts (6). Tighten the nuts with a 36 mm wrench (not included). Place the hinges (7) on the frame (7).



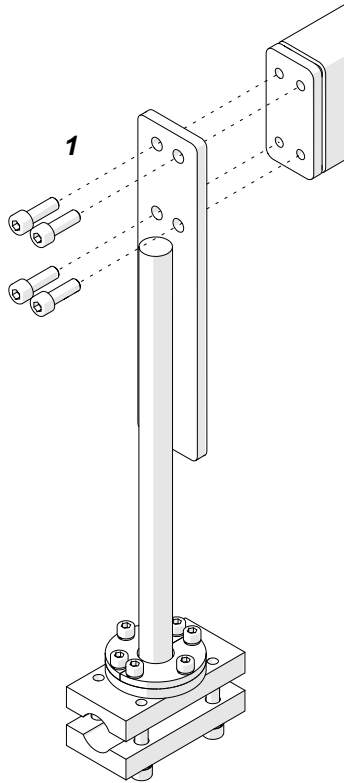
**Fig. 5.** Assembling the frame



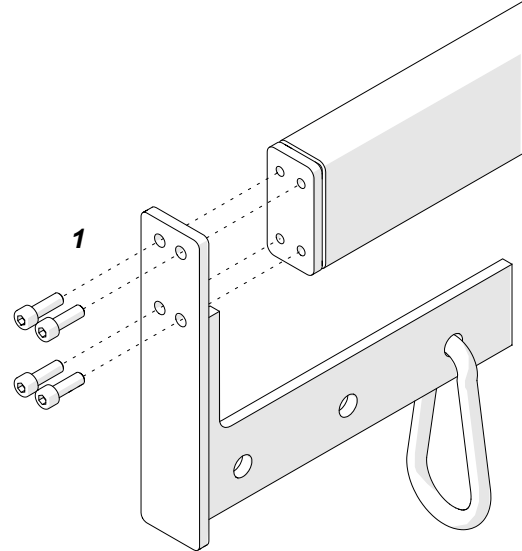
### 3.2. Installing the wire feeder holder

Using a 6 mm hex wrench (not included) attach the wire feeder holder with four M8x25 screws to the movable arm (1).

**R type wire feeder holder**



**L type wire feeder holder (accessory)**



**Fig. 6.** Installing the wire feeder holder

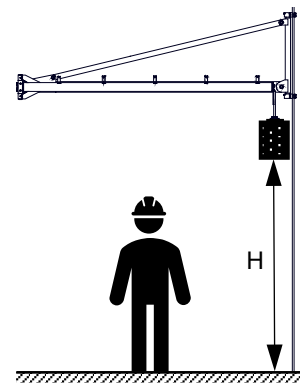
### 3.3. Installing the boom



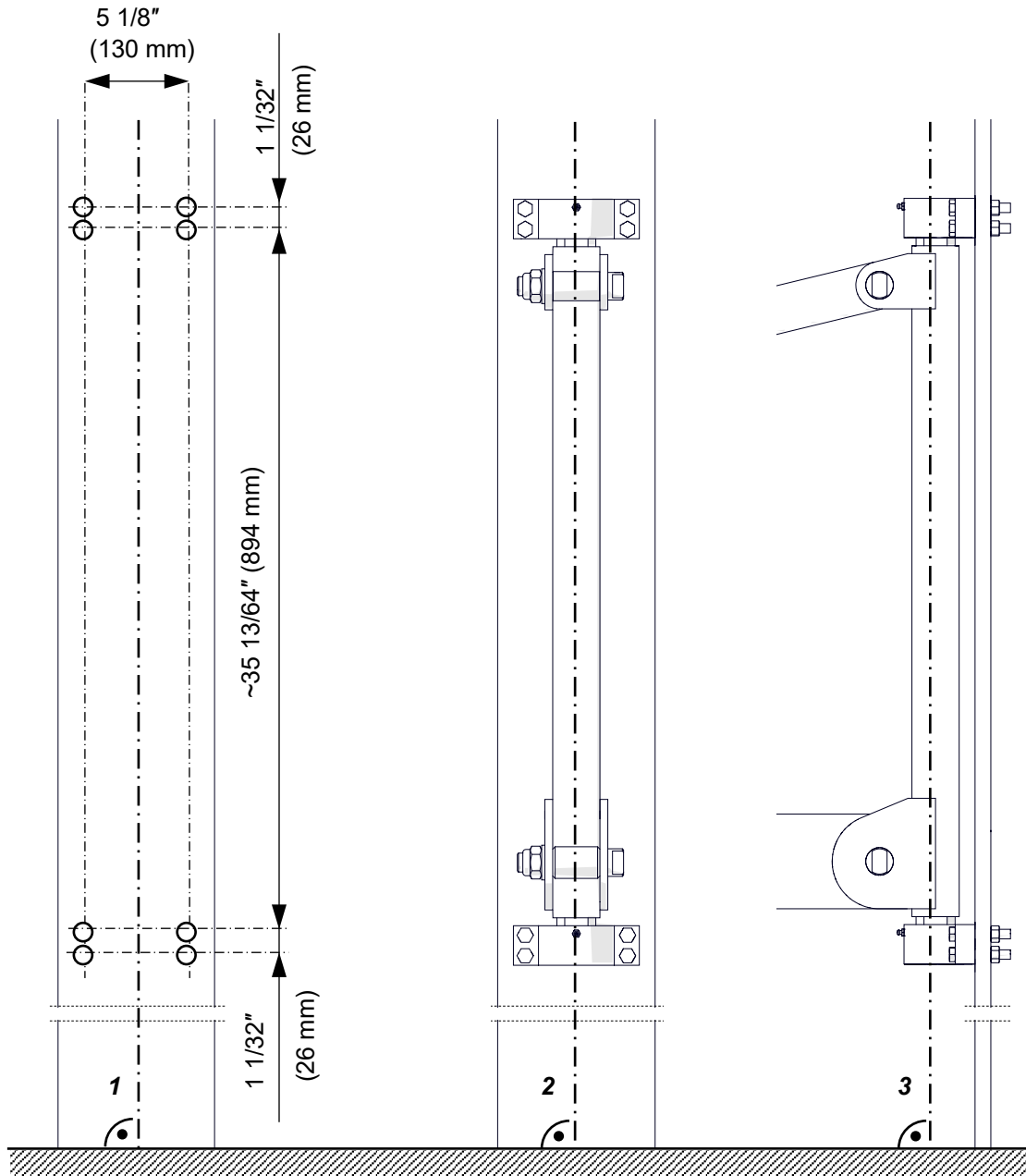
**Only Install the boom to steel elements.**



**Install the boom at height (H) safe for people nearby.**

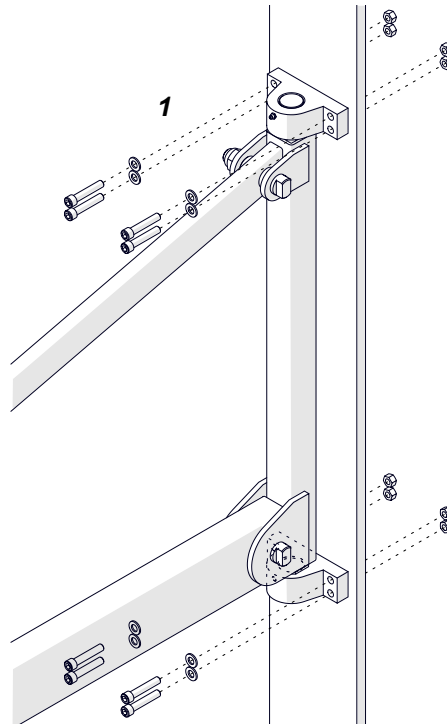


Following the picture below, prepare the hinges mounting holes suitable for M12 screw. **Include that the section between the hinges must be vertical in the front (1, 2) and side (3) planes.** When installing, use a level or other tool that allows for precise vertical and horizontal alignment.



**Fig. 7.** Installing the boom vertically in the front and side planes

Use eight M12 screws (DIN931 or DIN912, class 10.9 - not included) and M12 nuts (DIN985, class 10.9 - not included) and optional washers (DIN125 D13 – not included) (1) suitable for the type of steel element.

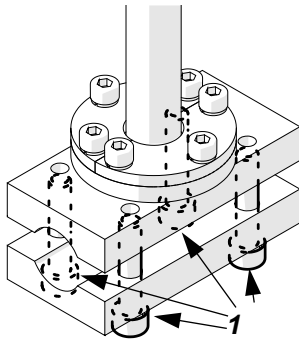


**Fig. 8.** Installing the boom

### 3.4. Installing the wire feeder

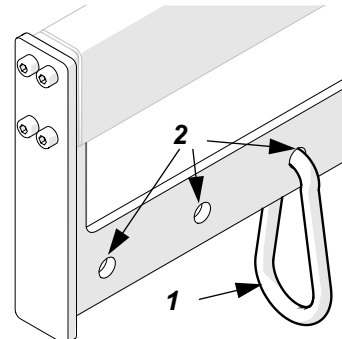
#### R type wire feeder holder

Using a 6 mm hex wrench (not included), loosen four screws (1). Insert the wire feeder\* to the holder. Tighten the screws.



#### L type wire feeder holder (accessory)

Insert the hook (1) into the selected hole of the holder (2). Then attach the wire feeder\* to the hook.



**Fig. 9.** Installing the wire feeder



\* Install the wire feeder as recommended by its manufacturer using the element (handle, hook, etc.) designed for this purpose.

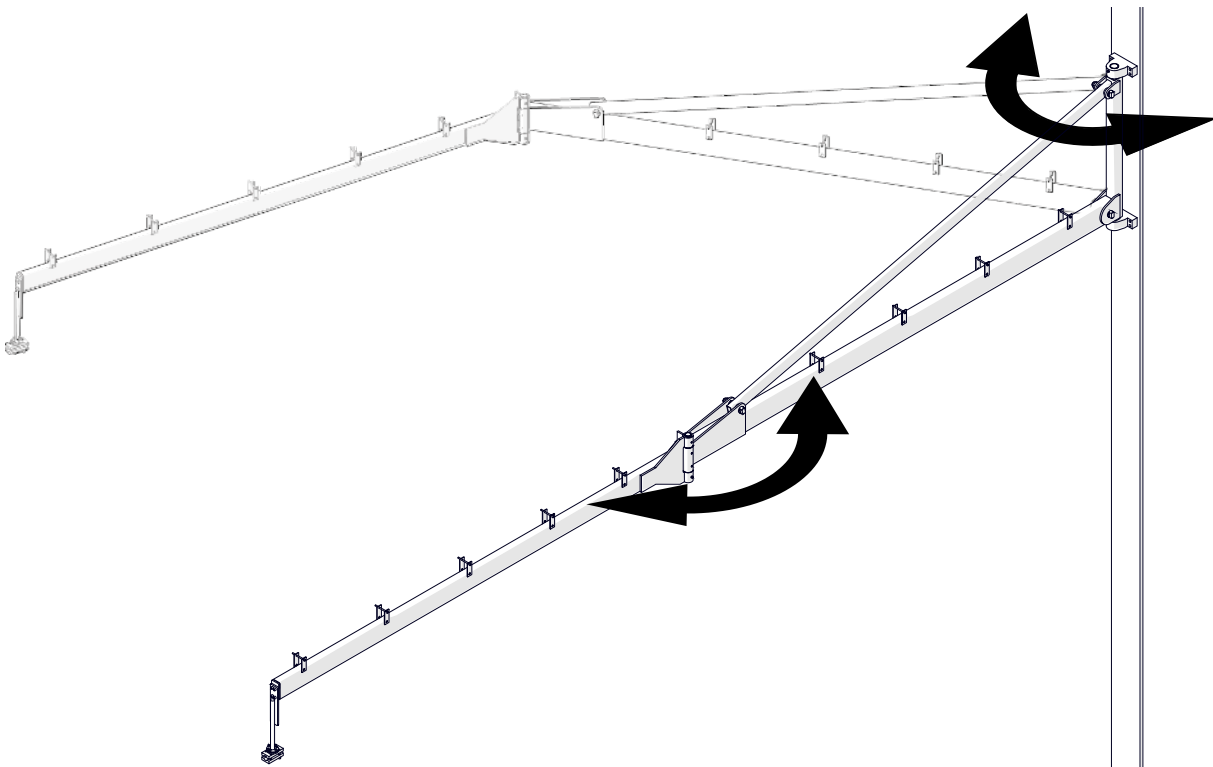
### 3.5. Boom positioning

Rotate the frame and movable arm to the required position.



**Be careful – depending on the dimensions of the wire feeder and steel element to which boom is installed, a collision may occur!**

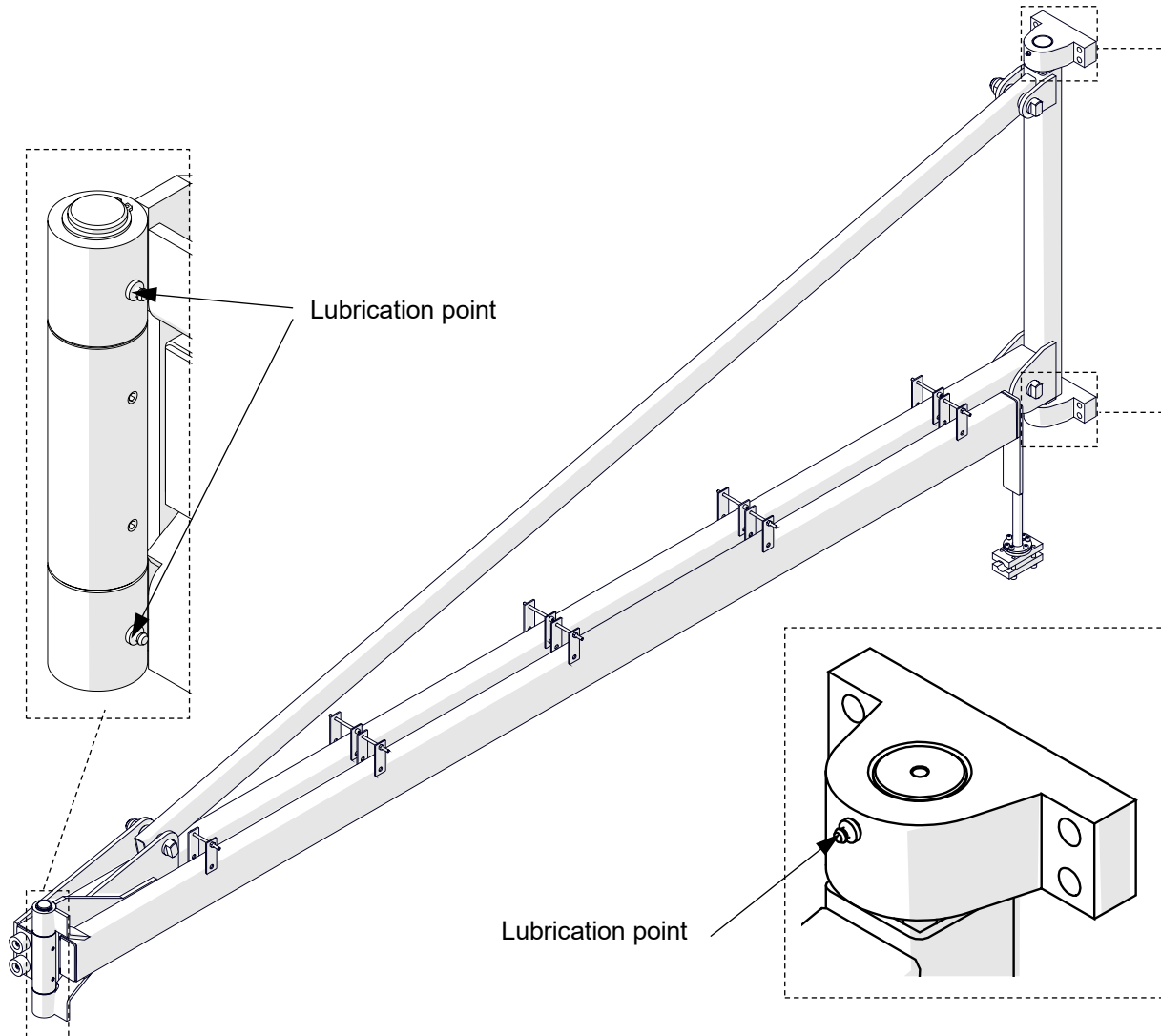
**Do not allow the boom to rotate uncontrolled and move out of the reach! (Fig. 4)**



**Fig. 10.** Boom positioning

### 3.6. Maintenance

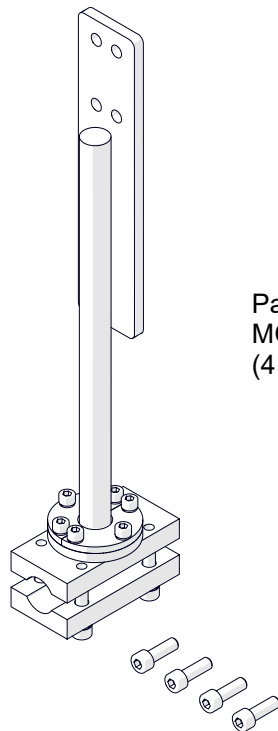
Every six months apply a sufficient quantity of grease into the lubrication points.



**Fig. 11. Boom maintenance**

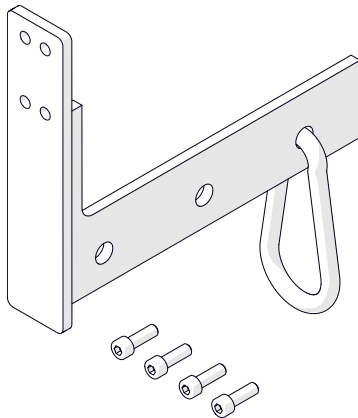
## 4. ACCESSORIES

### 4.1. R type wire feeder holder



Part number:  
MCW-0732-08-00-00-0  
(4 screws M8x25 included)

### 4.2. L type wire feeder holder

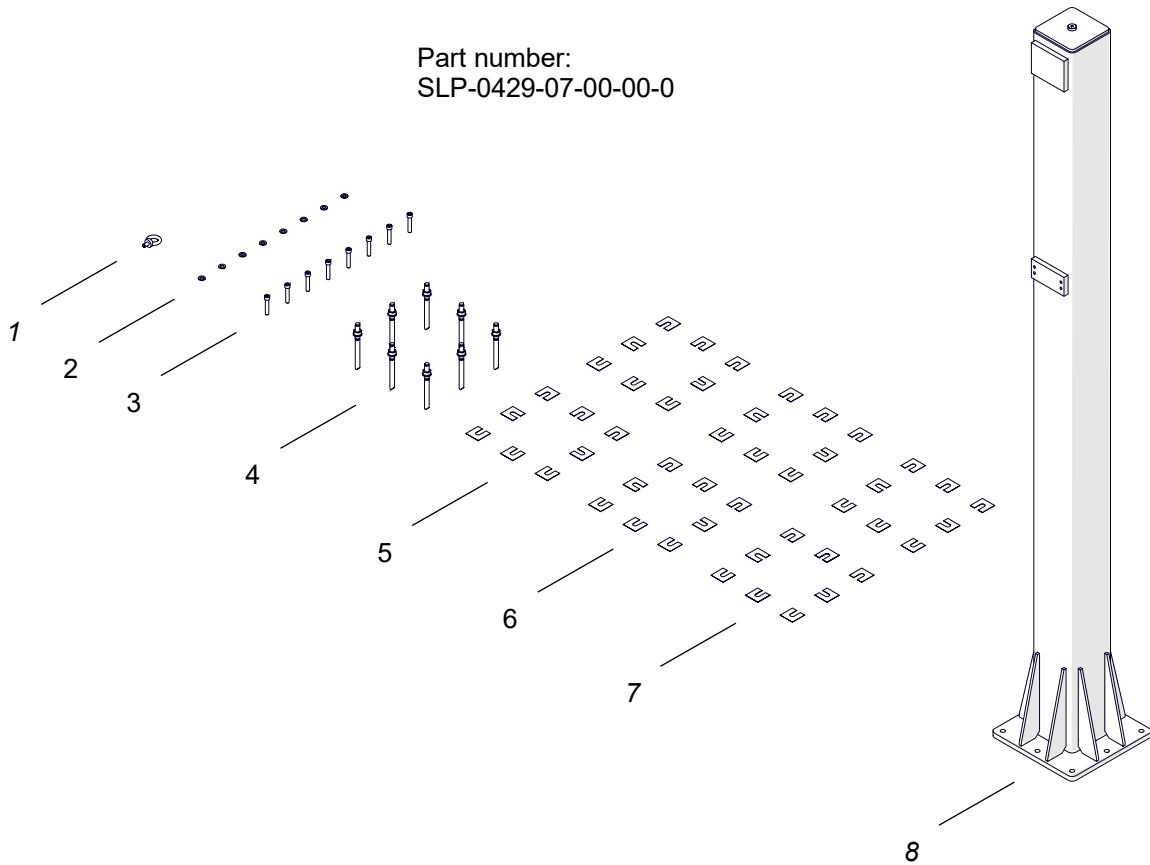


Part number:  
MCW-0732-09-00-00-0  
(4 screws M8x25 included)

### 4.3. Free-standing pillar

Designed to install the boom on it. Height: 9.84 ft (3 m).

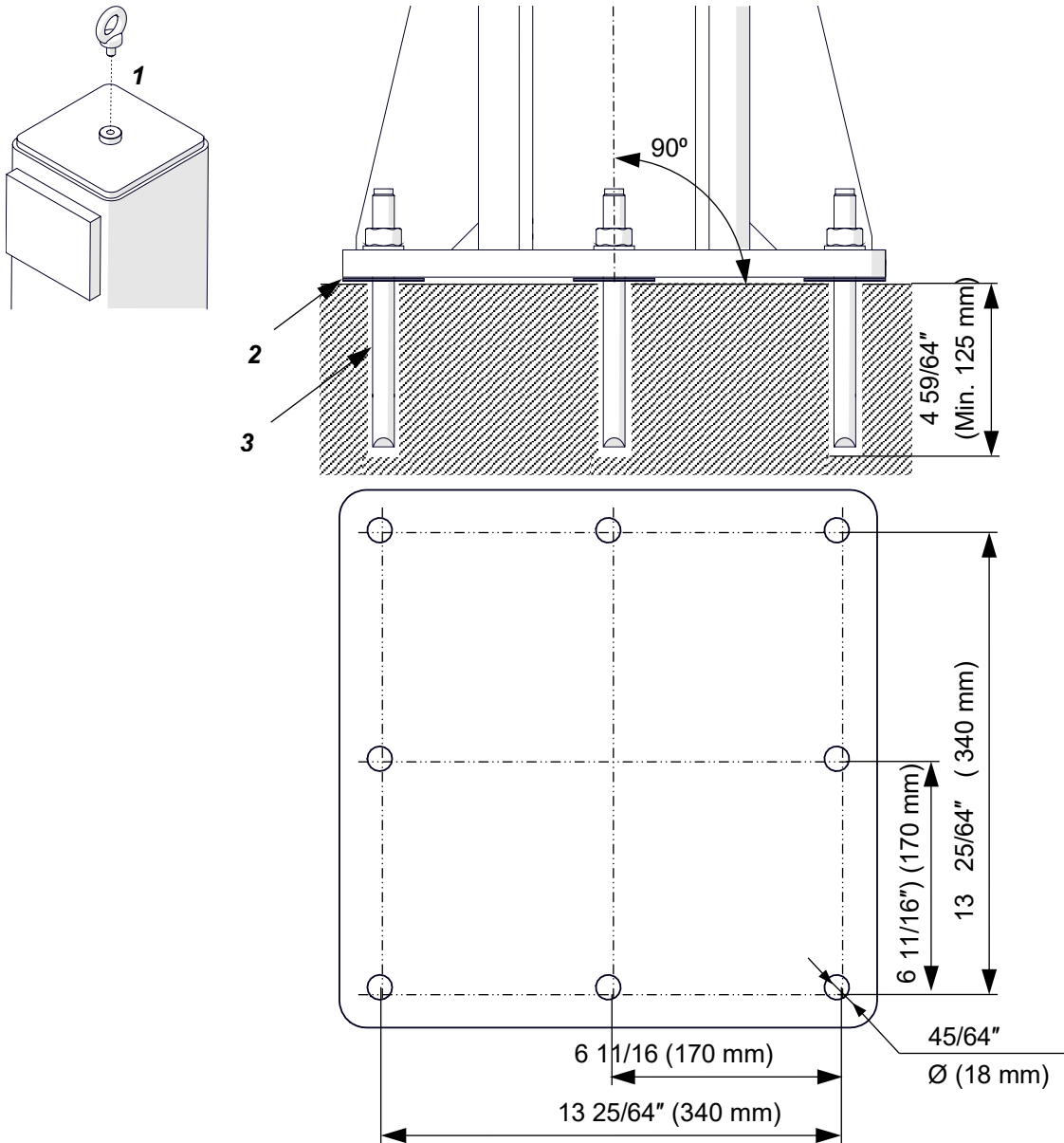
Part number:  
SLP-0429-07-00-00



1	Eyebolt	1 unit
2	Washer	8 units
3	M12x65 screw	8 units
4	Anchor rod M16 – 190 mm (7 31/64")	8 units
5	3/64" (1 mm) thick special washer	16 units
6	1/64" (0.5 mm) thick special washer	16 units
7	1/64" (0.2 mm) thick special washer	16 units
8	Free-standing pillar	1 unit

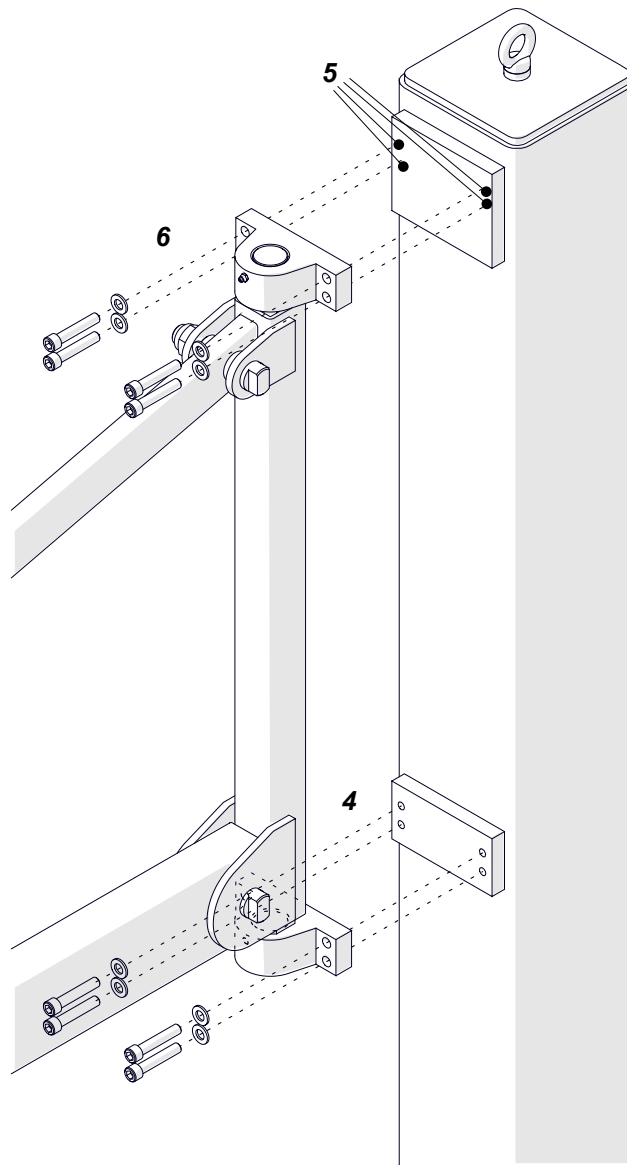
Screw the eyebolt into the hole (1). Transport the pillar using transport means. Set on the floor and level using special washers (2). Anchor the pillar to floor made of concrete with a grade of at least C20/25 and a minimum thickness of 6 19/64" (160 mm) using eight anchor rods (3) and injection resin\* (not included). Follow the recommendations of the resin manufacturer. The spacing of the anchor holes is shown below.

\* recommended resin is TRUTEX TCM420 PRO





To install the boom, attach the bottom hinge to the mounting holes of the pillar with four washers and M12x65 screws (4) using a 10 mm hex wrench (not included). Make four M12 threaded holes for top hinge (5). Then attach the top hinge with four washers and M12x65 screws (6).



## 5. DECLARATION OF CONFORMITY

### Declaration of conformity

**PROMOTECH sp. z o.o.**  
**ul. Elewatorska 23/1**  
**15-620 Białystok, Poland**

We declare with full responsibility that:

**Pivot wire feeder boom SM-WFB-PVB6000**

is manufactured in accordance with the following standards:

- EN ISO 12100: 2010
- ISO 12482-1: 1995

and satisfies regulations of the guidelines: 2006/42/EC

Person authorized to compile the technical file:

Wiktor Marek Siergiej, ul. Elewatorska 23/1, 15-620 Białystok, Poland



Białystok, 16 February 2023

---

Wiktor Marek Siergiej  
CEO

**6. WARRANTY CARD**

**Warranty card no.....**

..... in the name of Manufacturer warrants the\*:

**Pivot wire feeder boom: SM-WFB-PVB6000**

to be free of defects in material and workmanship under normal use for a period of 12 months from the date of sale.

This warranty does not cover damage or wear that arise from misuse, accident, tampering, or any other causes not related to defects in workmanship or material.

Serial number .....

Date of sale .....

Signature and stamp of the seller .....

**0.02 / 05 September 2023**

**WE RESERVE THE RIGHT TO MAKE CHANGES IN THIS MANUAL WITHOUT NOTICE**