

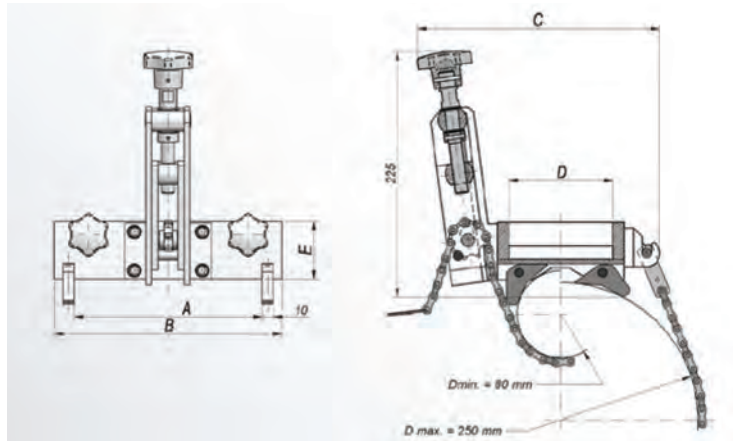
## MAGNETIC DRILL PIPE ATTACHMENTS

### MOUNT DRILLS TO PIPES FOR SAFE OPERATION

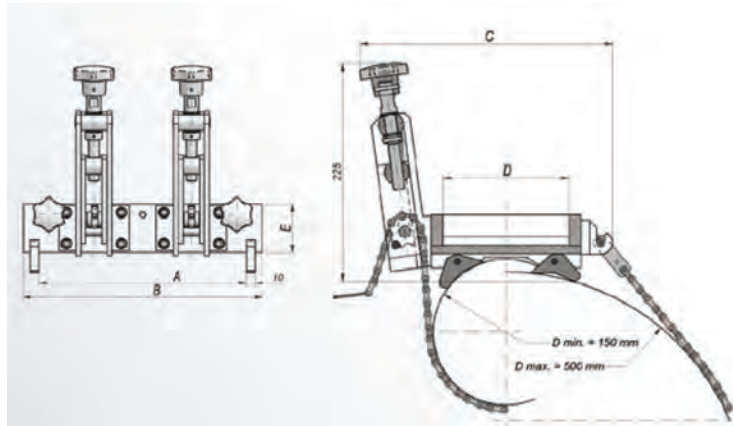
Our magnetic drill pipe attachments are designed for mounting Steelmax drills on pipes, tubes, tanks, oval workpieces and other parts which can be gripped with mounting chains.



DMP types 0250, 0251



DMP type 0501



DMP Type	A	B	C	D	E	Suitable for:
<b>SM-DMP 0250</b>	6" (152 mm)	7-3/8" (188 mm)	8-5/16" (211 mm)	3-5/16" (85 mm)	2-1/16" (52.5 mm)	<b>D1, DI Pro</b> 3" to 9.5" pipe
<b>SM-DMP 0251</b>	6-3/4" (172 mm)	8-3/16" (208 mm)	8-11/16" (221 mm)	3-3/4" (95 mm)	2-1/16" (52.5 mm)	<b>D2x</b> 3" to 9.5" pipe
<b>SM-DMP 0501</b>	9-3/16" (234 mm)	10-5/8" (270 mm)	10-1/16" (256 mm)	5-1/8" (130 mm)	2-1/16" (52.5 mm)	<b>D2x, D3xRS, D4x</b> 6" to 19.5" pipe

All information is subject to change without notice.

**Steelmax**

The tools of innovation.



For ordering and customer service, or to request detailed product information or demonstration videos, contact:

877-833-5629

STEELMAX.COM

sales@Steelmax.com

Fax: 303-690-9172