

## D175 ATEX CERTIFIED PNEUMATIC DRILL

### HEAVY-DUTY DRILL FOR HAZARDOUS ENVIRONMENTS

The **D175 ATEX** Pneumatic Drill from Steelmax is a small, portable drilling machine which drills holes up to 1.75" (45 mm) in diameter and up to 2" deep. The combination of a pneumatic drive and a permanent magnetic base eliminates the need for an electric power supply making this machine the ideal solution in many hazardous environments – such as oil drilling platforms, petrochemical plants, oil refineries, shipbuilding and the petrochemical industry – where electric appliances are prohibited for safety reasons. The **D175** is fully ATEX certified for use in these environments.

#### FEATURES:

- ATEX certified for use in hazardous environments
- No need for electric power
- Strong permanent magnet base
- Comprehensive safety features
- Protection against motor start-up when magnetic base is not secure
- Two-speed gear box

D175 ATEX conforms to ATEX II 2 G/D c IIC T6/T4 Standard for equipment used in hazardous environments



Annular Cutters  
up to 1.75" (45 mm)



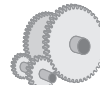
Twist drill  
0.75" (20 mm)



Depth of cut  
2" (51 mm)



Stroke  
6" (150 mm)



Speed  
190 rpm, 290 rpm



Motor Power  
800 W



Weight  
58.5 lbs (26.5 kg)

# Steelmax®

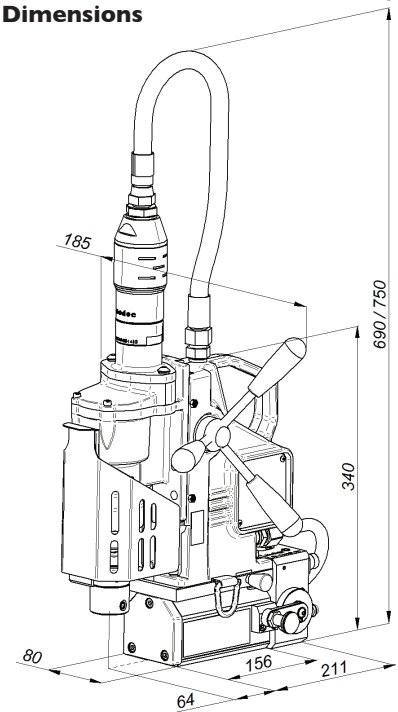
The tools of innovation.

# PNEUMATIC DRILLING MACHINE FROM STEELMAX®

## D175 ATEX Technical Specifications

Spindle speed (under load)	190 rpm (gear I); 290 rpm (gear II)
Motor power	800 W
Weight	58.5 lbs (26.5 kg)
Max milling capacity	1.75" (45 mm)
Max drilling capacity	0.75" (20 mm)
Stroke	6" (150 mm)
Max depth of cut	2" (51 mm)
Tool holder	3/4" Weldon Shank
Air consumption	50 CFM (1400 l/min)
Pressure	87 psi (6 bar)
Spindle	#2 Morse Taper
Minimum workpiece thickness	0.40" (10 mm)
Required ambient temperature	32–104° F (0–40° C)
Magnetic base holding force	765 kG (7 500 N)
Magnetic base dimensions	3.15" x 3.15" x 5.63" (80 mm x 80 mm x 143 mm)
Overall dimensions LxWxH	16.7" x 10.5" x 27.7" (424 mm x 268 mm x 703 mm)
Product Code	SM-D175 ATEX

## Dimensions



### Standard package includes:

- Pneumatic drilling machine
- Metal box
- Feed handles
- MT2 arbor for 3/4" weldon shank cutters
- Safety chain
- Cooling system
- Protective spring for cooling hose
- Set of tools
- Operator's manual

*Drill chucks, arbor extensions and other accessories are available. See the full line catalog for more information.*



**Steelmax**  
The tools of innovation.



For ordering and customer service, or to request detailed product information or demonstration videos, contact: