

# FILLET WELDING TRACTOR FROM STEELMAX®

## Eco Runner Portable Fillet Welding Carriage

### THE POWER TOOL FOR WELDING COMPACT BATTERY-POWERED TRAVEL WELDING CARRIAGE

The **Eco Runner** is a battery-powered welding travel carriage designed to produce continuous fillet welds using MIG/MAG torches in the flat or vertical welding positions. Providing mechanized motion of the welding torch, the **Eco Runner** allows for continuous welding which increases operating factor and weld deposition rates.

A 4-wheel drive system and permanent magnetic base provide powerful traction, smooth travel and stable speeds. A digital speed readout insures repeatability of the weld procedure and produces weld bead geometry that is exact to the required specifications, reducing costly over welding and substantially decreasing filler metal usage.

A quick disconnect torch holder allows the torch to be easily swapped from one side of the **Eco Runner** to the other, enabling the operator to weld the entire workpiece from end to end.

An optional power supply can be used to plug the carriage into a 115V – 230V power source.

#### FEATURES

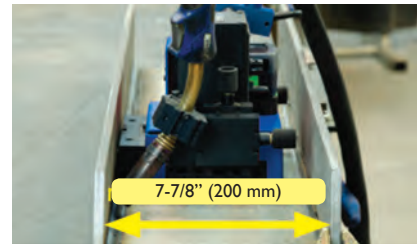
- Compact and lightweight design for welding in narrow spaces
- Convenient 18 V DC battery supply
- Optional 115V – 230V line power supply
- Versatile quick disconnect torch clamp for easy placement of the torch on either side of the carriage
- Digital LED display for pre-setting travel speed
- Low-battery indicator
- Built-in guide rollers



Optional 115–230V power supply



Easily weld from end to end



Welding in narrow spaces



Continuous welding



Horizontal speed  
0–43 in/min  
(0–120 cm/min)



Vertical speed  
0–43 in/min  
(0–110 cm/min)



Torch placement  
on either side



Welding in  
narrow spaces



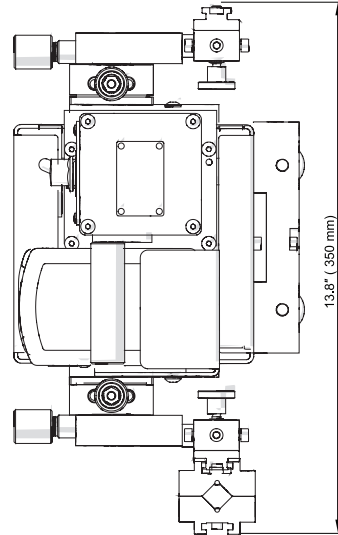
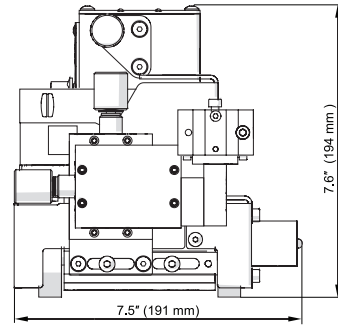
Weight 17 lbs  
(7.6 kg)

# Steelmax®

The tools of innovation.

## Eco Runner Technical Specifications

Voltage	18V DC, 5.2Ah 115 -230V, 50-60 Hz (w/ optional power adaptor)
Power	25 Watts
Welding Position	2F & 3F
Torch Diameter Range	5/8" - 7/8" (16 - 22 mm)
Min. Workpiece Thickness	3/16" (4 mm)
Horizontal Pulling Force	34 Lbs
Vertical Pulling Force	22.5 Lbs
Horizontal Speed	0 - 43 in/min (0 - 110 cm/min)
Vertical Speed	0 - 39 in/min (0 - 100 cm/min)
Weight (w/out battery)	17 lbs (7.6 Kg)
<b>Part Number</b>	<b>SM-WC-ER</b>



### Optional Accessories:



Auxiliary magnet blocks  
SM-ZST-0655-09-00-00-0



5.2 Ah Battery  
SM-WC-LR-BAT



Power supply  
SM-ZSL-0526-20-00-00-0



Cable anchor  
SM-UCW-0655-08-00-00-0



Battery charger  
SM-LDW-000006  
(230 V, 50/60 Hz)  
SM-WC-LR-CHARGER  
(115 V, 50/60 Hz)



Power cord 10 ft. (3 m)  
SM-PWD-0466-18-00-00-0  
(230 V)  
SM-PWD-0466-16-00-00-0  
(115 V)



Easily place torch on either side of carriage

### Standard Set Includes:

- Eco Runner Welding Carriage
- Torch holder
- Battery
- 4 mm hex wrench
- 3 mm hex wrench
- Operator's Manual



**Steelmax**

The tools of innovation.

For ordering and customer service, or to request detailed product information or demonstration videos, contact:

877-833-5629

STEELMAX.COM

sales@Steelmax.com

Fax: 303-690-9172

