

D1 PORTABLE MAGNETIC DRILL

ULTRA COMPACT DRILL COMBINES PORTABILITY AND PERFORMANCE

The **D1** is an ultra-compact magnetic drilling machine with maximum capacity of 1-3/8" (36 mm) diameter in 2" (51 mm) thick material. The unit's ultra-light weight of 22 lbs. (10 kg) is the lowest in its class. The maintenance-free rail guide system minimizes run-out, maintains accuracy and reduces cutter breakage.

The **D1** is equipped with an electromagnetic Energy Saving Base (ESB) which uses only 50% of the power when the motor is not under load, dramatically increasing the operating life of the electromagnet, and a Magnetic Field Shape Control (MFSC) system which provides maximum holding power on thin material. Safe Magnet™ circuitry assures adequate adhesive force for safe operation.

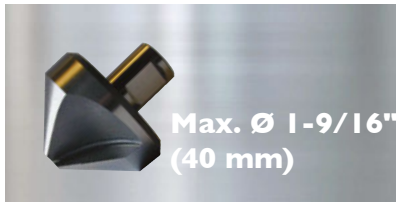
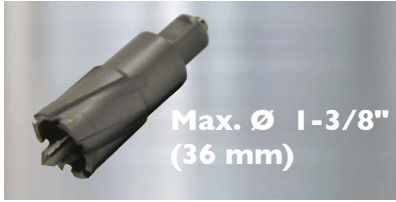
FEATURES

- 1-3/8" (36 mm) diameter x 2" (51 mm) depth of cut
- Ultra-compact and light weight: 14-3/4" working height (with coolant bottle) and only 22 pounds
- Adjustable cutter guard with built-in chip breaker
- Through spindle coolant system with removable reservoir
- Maintenance free rail guide system for long life, minimal run-out and extreme accuracy
- Safe Magnet™ circuitry recognizes magnetic holding power
- Automatic slug ejection system
- Magnet is 1/3 smaller, lighter and stronger than competing models
- Magnet uses only 50% power when motor is not under load
- Designed for easy field service and repair
- All aluminum parts are heat treated for rigidity



Steelmax

The tools of innovation.

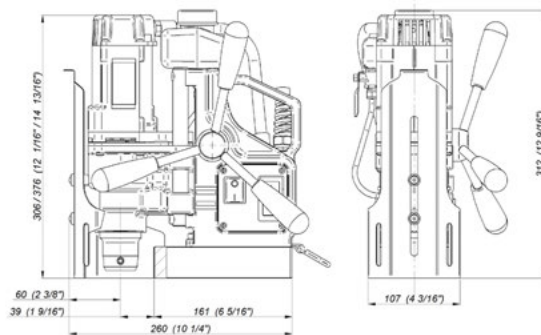


Standard shipping set:

- Magnetic base drilling machine
- Metal shipping box
- Swarf shield/Cutter guard
- Coolant bottle assembly
- Safety chain with snap hook
- Allen wrench
- Instruction manual
- Standard shipping weight – 36 lbs (16.7 kg)



D1 Technical Specifications		
Tool holder	3/4" (19 mm) Weldon	
Annular cutter (Core drill) Ø	max 1-3/8" (36 mm)	
Countersinking Ø	1-9/16" max (40 mm)	
Stroke	2 -3/4" (70 mm)	
Max depth of cut	2" (51 mm)	
Voltage	115V/60Hz or 230V/50Hz	
Power consumption [W]	1000	
Motor power	920 W 1.2 HP	
Speed [rpm]	350	
Overload protection	yes – 115V/60Hz yes – 230V/50Hz	
MPAC (Magnetic Power Adhesion Control)	yes	
MFSC (Magnetic Field Shape Control)	yes	
ESB (Energy Saving Base)	yes	
Magnet – on 1" (25 mm) plate	Dead lift	Drill point breakaway
	2135 lbs (968 kg)	859 lbs (389 kg)
Magnet base dimensions	3-1/8 x 6-5/16 x 1-7/16" 80 x 160 x 36.5 mm	
Minimum workpiece thickness	1/4" (6 mm)	
Weight	22 lbs (10 kg)	
Part number	SM-D1 (115V/60Hz) SM-D1-230 (230V/50Hz)	



Steelmax
The tools of innovation.



For ordering and customer service, or to request detailed product information or demonstration videos, contact:

877-833-5629

STEELMAX.COM

sales@Steelmax.com

Fax: 303-690-9172