

DRILL ATTACHMENTS FROM STEELMAX®

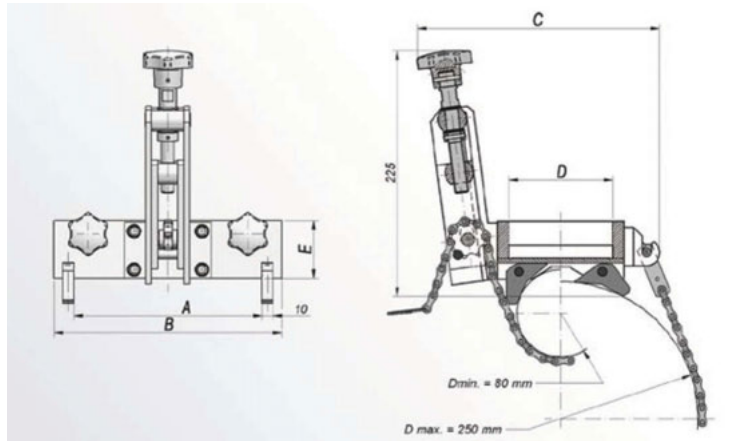
THE DMP PIPE ATTACHMENTS

MOUNT DRILLS TO PIPES FOR SAFE OPERATION

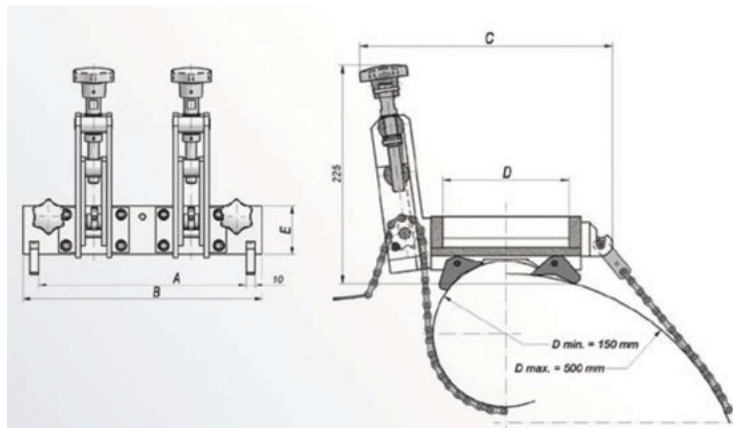
The **DMP** attachments are designed for mounting Steelmax drills on pipes, tubes, tanks, oval workpieces and other parts which can be gripped with mounting chains.



DMP type 0251



DMP type 0501



DMP Type	A	B	C	D	E	Suitable for:
SM-DMP 0251	6-3/4" (172 mm)	8-3/16" (208 mm)	8-11/16" (221 mm)	3-3/4" (95 mm)	2-1/16" (52.5 mm)	D1, D2x
SM-DMP 0501	9-3/16" (234 mm)	10-5/8" (270 mm)	10-1/16" (256 mm)	5-1/8" (130 mm)	2-1/16" (52.5 mm)	D2x, D3xs, D4x

All information is subject to change without notice.

Steelmax

The tools of innovation.

6200 S.Troy Circle, Suite 110, Centennial, CO 80111

For ordering and customer service, or to request detailed product information or demonstration videos, contact:

I-87STEELMAX

STEELMAX.COM

sales@Steelmax.com

Fax: 303-690-9172

